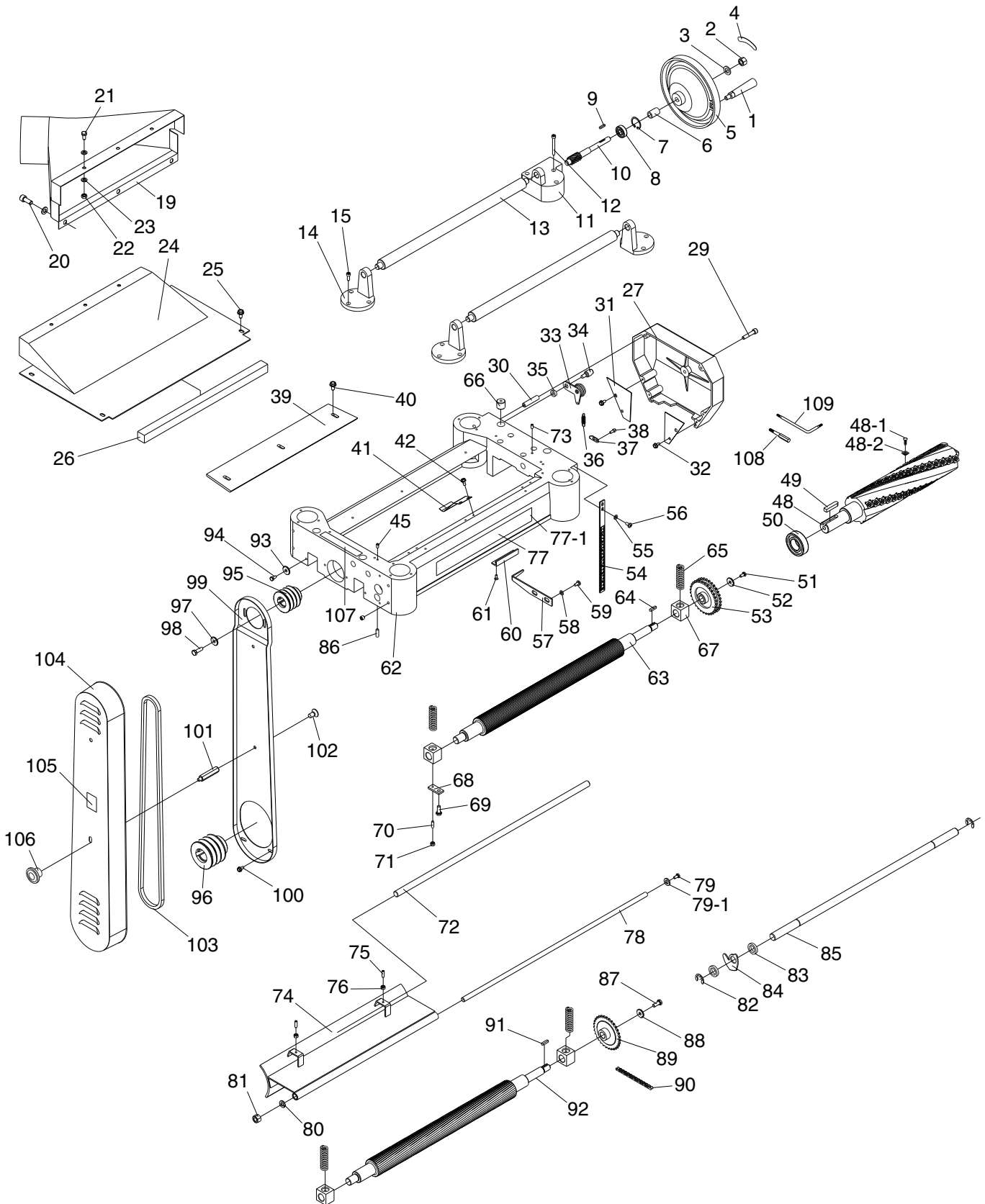


# Headstock Breakdown



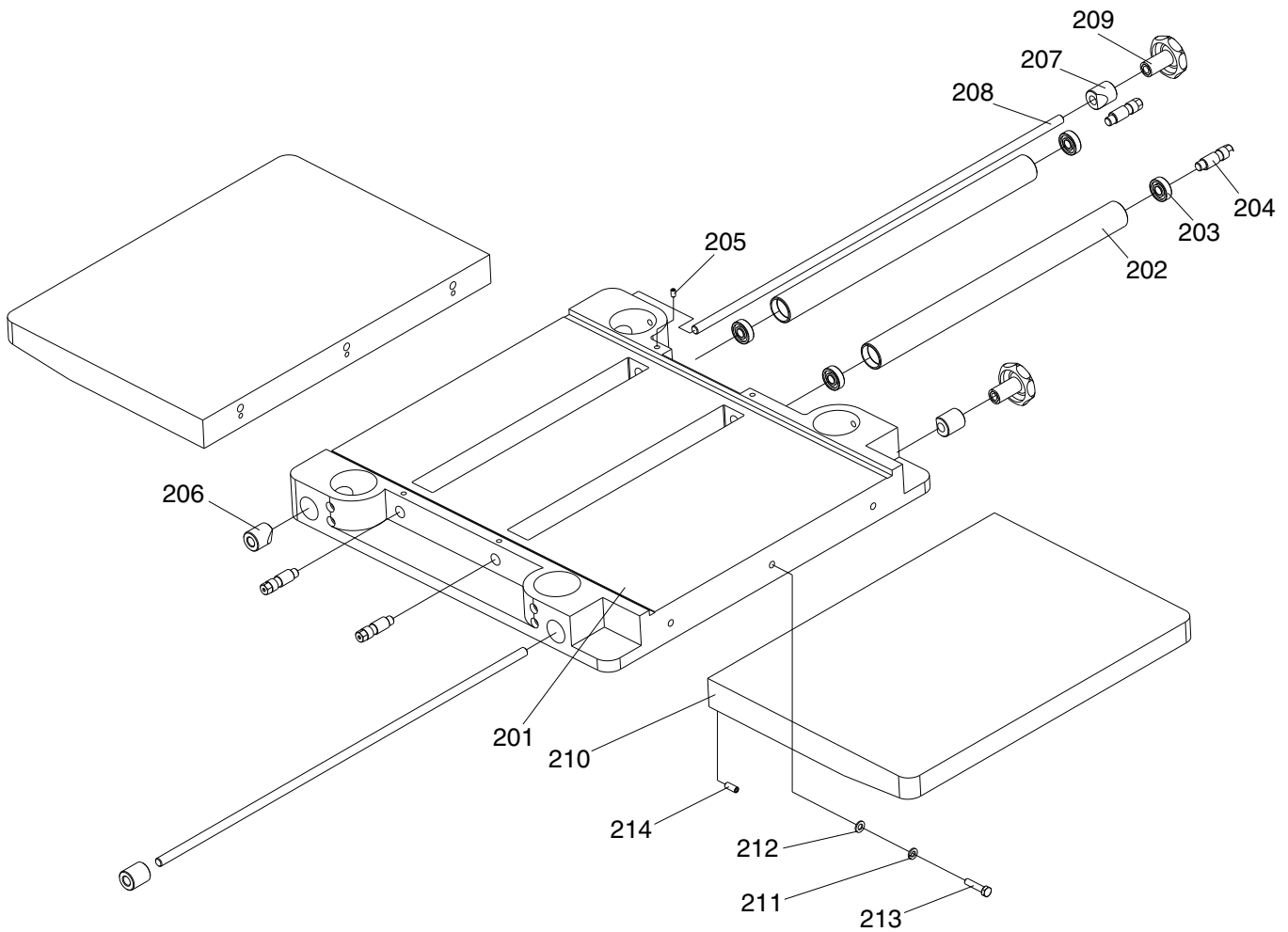
# Headstock Parts List

REF	PART #	DESCRIPTION
1	P0453Z001	HANDLE
2	PN09M	HEX NUT M12-1.75
3	PW06M	FLAT WASHER 12MM
4	P0453Z004	HANDWHEEL LABEL
5	P0453Z005	HANDWHEEL
6	P0453Z006	COLLAR
7	PR29M	INT RETAINING RING 32MM
8	P6201	BALL BEARING 6201ZZ
9	PK48M	KEY 4 X 4 X 20
10	P0453Z010	WORM GEAR
11	P0453Z011	WORM HOUSING
12	PSB137M	CAP SCREW M5-.8 X 55
13	P0453Z013	ROLLER
14	P0453Z014	ROLLER STAND
15	PSB20M	CAP SCREW M5-.8 X 14
19	P0453Z019	DUST HOOD
20	PSB14M	CAP SCREW M8-1.25 X 20
21	PB04M	HEX BOLT M6-1 X 10
22	PN01M	HEX NUT M6-1
23	PW03M	FLAT WASHER 6MM
24	P0453Z024	UPPER COVER
25	PFB01M	FLANGE BOLT M6-1 X 12
26	P0453Z026	FOAM
27	P0453Z027	GEAR BOX COVER
29	PSB45M	CAP SCREW M8-1.25 X 45
30	PRP07M	ROLL PIN 6 X 20
31	P0453Z031	SAFETY HATCH
32	PFB09M	FLANGE BOLT M6-1 X 10
33	P0453Z033	IDLER PULLEY/BACKET ASSY
34	P0453Z034	IDLER MOUNTING SHAFT
35	P0453Z035	COLLAR
36	P0453Z036	EXTENSION SPRING
37	P0453Z037	HANGER
38	PSB68M	CAP SCREW M6-1 X 8
39	P0453Z039	CHIP DEFLECTOR PLATE
40	PFB01M	FLANGE BOLT M6-1 X 12
41	P0453Z041	PRESS PLATE
42	PFB01M	FLANGE BOLT M6-1 X 12
45	PSS11M	SET SCREW M6-1 X 16
48	P0453Z048	SPIRAL CUTTERHEAD ASSY
48-1	PFH35M	FLAT HD TORX SCR T20 M6-1 X 15
48-2	P0452Z002	INDEXABLE INSERT 14 x 14 x 2
49	PK129M	KEY 8 X 8 X 36
50	P6205	BALL BEARING 6205ZZ
51	PB83M	HEX BOLT M6-1 X 16
52	PW03M	FLAT WASHER 6MM
53	P0453Z053	SPROCKET
54	P0453Z054	SCALE
55	PW03M	FLAT WASHER 6MM
56	PS14M	PHLP HD SCR M6-1 X 12
57	P0453Z057	POINTER
58	PW03M	FLAT WASHER 6MM
59	PS14M	PHLP HD SCR M6-1 X 12

REF	PART #	DESCRIPTION
60	P0453Z060	CUT LIMIT PLATE
61	PS03M	PHLP HD SCR M6-1 X 8
62	P0453Z062	HEAD CASTING
63	P0453Z063	OUTFEED ROLLER
64	PK08M	KEY 5 X 5 X 16
65	P0453Z065	COMPRESSION SPRING
66	P0453Z066	SPECIAL SET SCREW
67	P0453Z067	BUSHING
68	P0453Z068	PLATE
69	PB03M	HEX BOLT M8-1.25 X 16
70	PSS53M	SET SCREW M5-.8 X 12
71	PN06M	HEX NUT M5-.8
72	P0453Z072	CHIP BREAKER SHAFT
73	PSS25M	SET SCREW M6-1 X 20
74	P0453Z074	CHIP BREAKER
75	PSS58M	SET SCREW M6-1 X 18
76	PN01M	HEX NUT M6-1
77	P0453Z077	LABEL
77-1	P0453Z077-1	RIVET 2 X 4MM
78	P0453Z078	LOCKING ROD
79	PB06M	HEX BOLT M8-1.25 X 12
79-1	PW01M	FLAT WASHER 8MM
80	PLW05M	LOCK WASHER 12MM
81	PN09M	HEX NUT M12-1.75
82	PEC05M	E-CLIP 15MM
83	P0453Z083	COLLAR
84	P0453Z084	ANTI-KICKBACK FINGER
85	P0453Z085	AK FINGER SHAFT
86	PSS06M	SET SCREW M8-1.25 X 16
87	PB83M	HEX BOLT M6-1 X 16
88	PW03M	FLAT WASHER 6MM
89	P0453Z089	SPROCKET
90	P0453Z090	CHAIN 06B-1 X 16
91	PK08M	KEY 5 X 5 X 16
92	P0453Z092	INFEED ROLLER
93	PW03M	FLAT WASHER 6MM
94	PB02M	HEX BOLT M6-1 X 12
95	P0453Z095	CUTTERHEAD PULLEY
96	P0453Z096	MOTOR PULLEY
97	P0453Z097	COLLAR
98	PB09M	HEX BOLT M8-1.25 X 20
99	P0453Z099	BELT GUARD
100	PFB09M	FLANGE BOLT M6-1 X 10
101	P0453Z101	RECEIVER PIN
102	PFB01M	FLANGE BOLT M6-1 X 12
103	PVMX60	COGGED V-BELT MX-60
104	P0453Z104	BELT COVER
105	P0453Z105	DON'T REMOVE COVER LABEL
106	P0453Z106	STAR KNOB M8-1.25
107	P0453Z107	OIL LEVEL LABEL
108	P0452Z001	DRIVER BIT TORX T20
109	P0452Z009	L-WRENCH TORX T20



# Table Breakdown

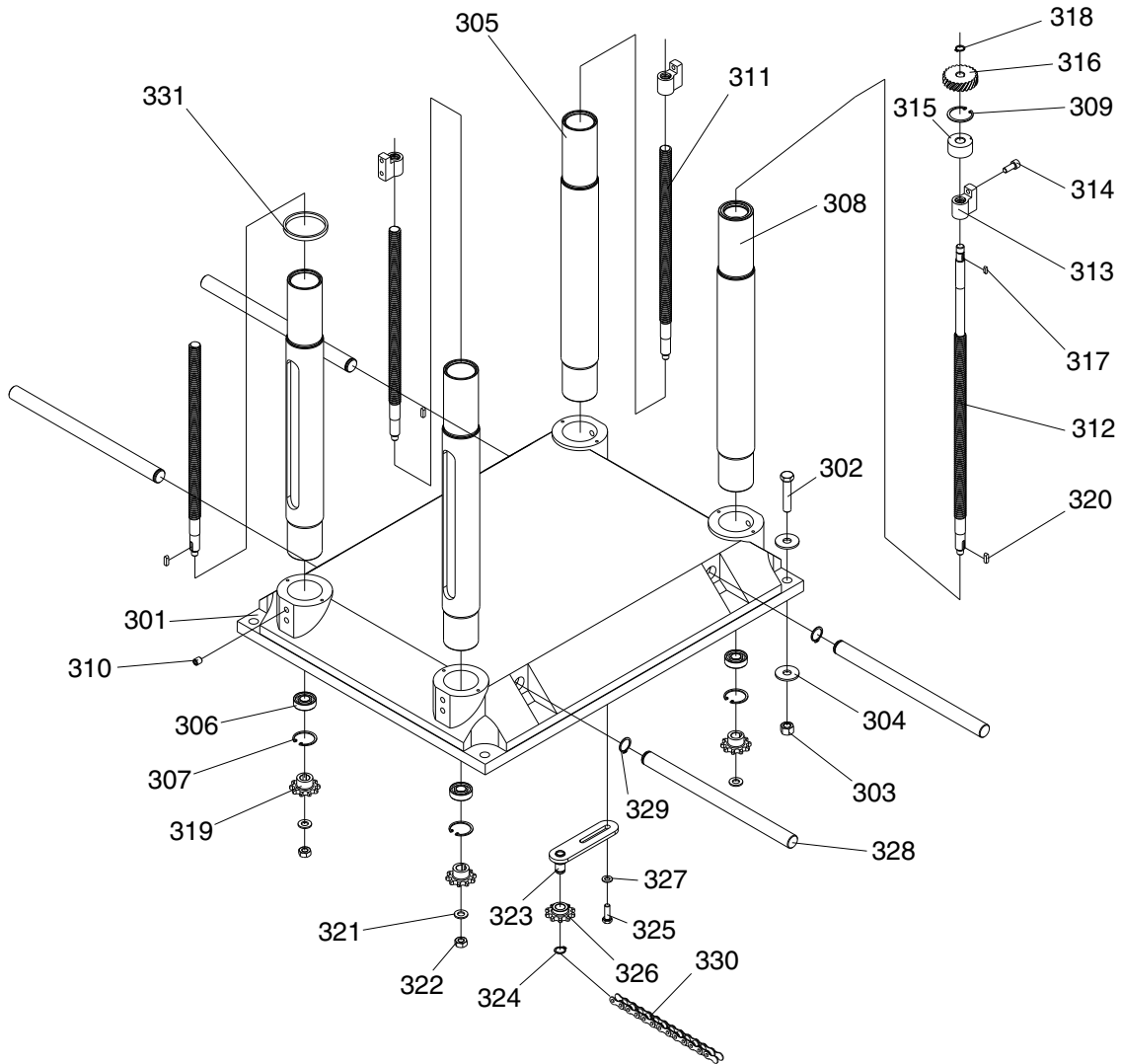


REF	PART #	DESCRIPTION
201	P0453Z201	TABLE/BED
202	P0453Z202	ROLLER
203	P80018	BALL BEARING 80018
204	P0453Z204	ECCENTRIC SHAFT
205	PSS11M	SET SCREW M6-1 X 16
206	P0453Z206	GIB
207	P0453Z207	WEDGE DOG

REF	PART #	DESCRIPTION
208	P0453Z208	LOCK BAR
209	P0453Z209	FEMALE KNOB M12-1.75
210	P0453Z210	EXTENSION WING
211	PLW04M	LOCK WASHER 8MM
212	PW01M	FLAT WASHER 8MM
213	PB26M	HEX BOLT M8-1.25 X 30
214	PSS09M	SET SCREW M8-1.25 X 20



# Columns Breakdown

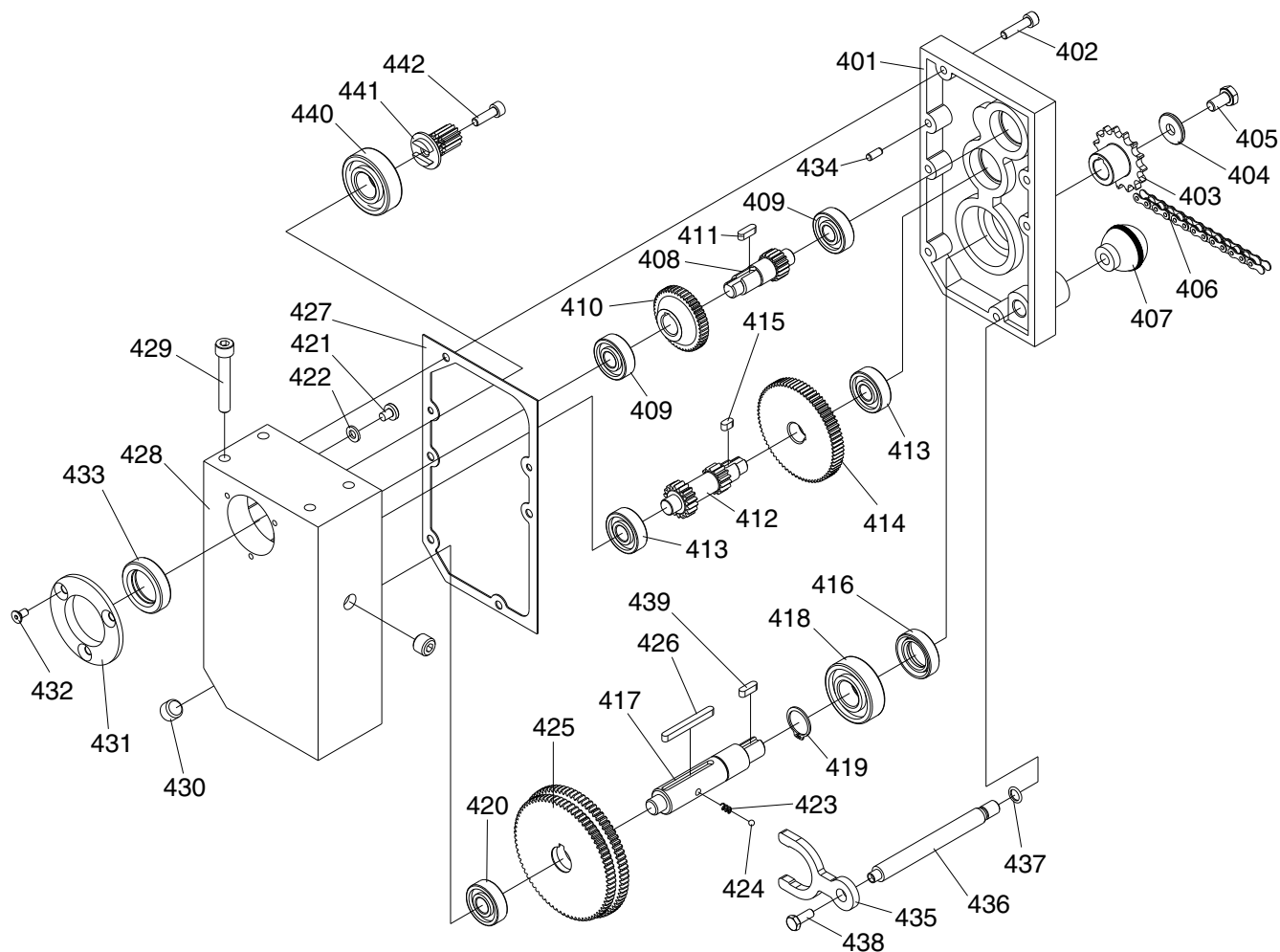


REF	PART #	DESCRIPTION
301	P0453Z301	BASE
302	PB24M	HEX BOLT M12-1.75 X 45
303	PN09M	HEX NUT M12-1.75
304	PW06M	FLAT WASHER 12MM
305	P0453Z305	COLUMN A
306	P6302Z	BALL BEARING 6302Z
307	PR24M	INT RETAINING RING 42MM
308	P0453Z308	COLUMN B
309	PR23M	INT RETAINING RING 40MM
310	PSS13M	SET SCREW M10-1.5 X 12
311	P0453Z311	LEAD SCREW A
312	P0453Z312	LEAD SCREW B
313	P0453Z313	LEAD NUT
314	PSB02M	CAP SCREW M6-1 X 20
315	P0453Z315	BUSHING
316	P0453Z316	GEAR

REF	PART #	DESCRIPTION
317	PK69M	KEY 4 X 4 X 12
318	PR03M	EXT RETAINING RING 12MM
319	P0453Z319	SPROCKET
320	PK08M	KEY 5 X 5 X 16
321	PW04M	FLAT WASHER 10MM
322	PN02M	HEX NUT M10-1.5
323	P0453Z323	BRACKET
324	PR05M	EXT RETAINING RING 15MM
325	PB09M	HEX BOLT M8-1.25 X 20
326	P0453Z326	IDLER SPROCKET
327	PW01M	FLAT WASHER 8MM
328	P0453Z328	LIFTING BAR
329	PR05M	EXT RETAINING RING 15MM
330	P0453Z330	CHAIN 12.7 A X 134
331	P0453Z331	COLUMN GASKET



# Gearbox Breakdown

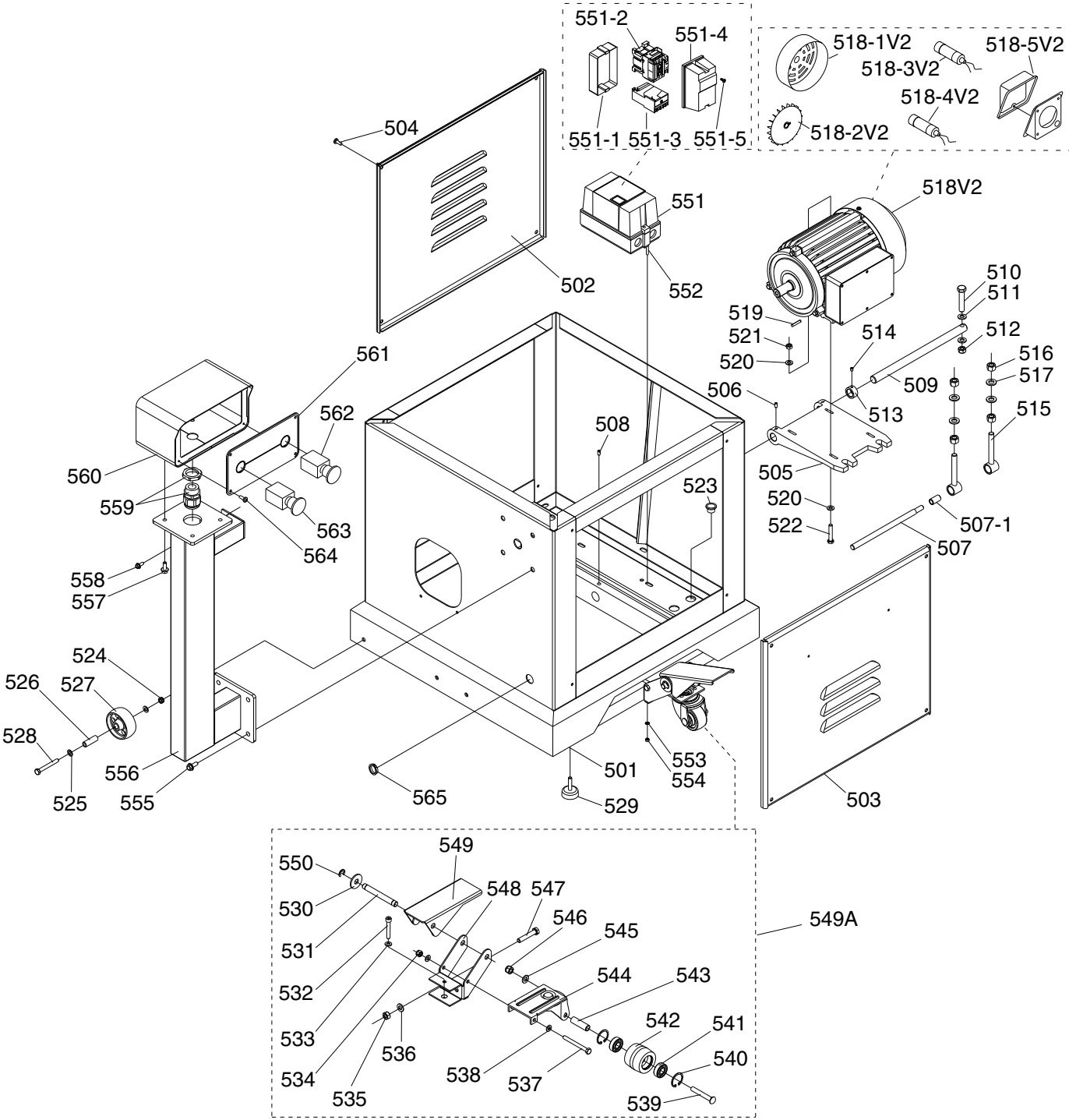


REF	PART #	DESCRIPTION
401	P0453Z401	GEAR BOX COVER
402	PB10M	HEX BOLT M6-1 X 25
403	P0453Z403	COLUMN SPROCKET
404	PW01M	FLAT WASHER 8MM
405	PB03M	HEX BOLT M8-1.25 X 16
406	P0453Z406	CHAIN 06B-1 X 51
407	P0453Z407	FEMALE KNOB M8-1.25
408	P0453Z408	GEAR SHAFT (A)
409	P6201	BALL BEARING 6201ZZ
410	P0453Z410	GEAR (A)
411	PK19M	KEY 5 X 5 X 14
412	P0453Z412	SHAFT (B)
413	P6201	BALL BEARING 6201ZZ
414	P0453Z414	GEAR (B)
415	PK06M	KEY 5 X 5 X 10
416	P0453Z416	OIL SEAL 25 X 32 X 7
417	P0453Z417	SHAFT ( C)
418	P6204	BALL BEARING 6204ZZ
419	PR09M	EXT RETAINING RING 20MM
420	P6201	BALL BEARING 6201ZZ
421	PS03M	PHLP HD SCR M6-1 X 8

REF	PART #	DESCRIPTION
422	PW03M	FLAT WASHER 6MM
423	P0453Z423	COMPRESSION SPRING
424	P0453Z424	STEEL BALL 4MM
425	P0453Z425	GEAR ( C)
426	PK36M	KEY 5 X 5 X 50
427	P0453Z427	GASKET
428	P0453Z428	GEAR BOX
429	PB166M	HEX BOLT M8-1.25 X 50
430	P0453Z430	OIL PLUG
431	P0453Z431	FLANGE COVER
432	PSB33M	CAP SCREW M5-.8 X 12
433	P0453Z433	OIL SEAL 25 X 40 X 10
434	P0453Z434	PIN 5 X 10
435	P0453Z435	SHIFT FORK
436	P0453Z436	HANDLE SHAFT
437	PORP016	O-RING 15.8 X 2.4 P16
438	PFB01M	FLANGE BOLT M6-1 X 12
439	PK08M	KEY 5 X 5 X 16
440	P6204	BALL BEARING 6204ZZ
441	P0453Z441	GEAR (D)
442	PSS25M	SET SCREW M6-1 X 20



# Stand Breakdown



# Stand Breakdown

REF	PART #	DESCRIPTION
501	P0453Z501	ENCLOSED STAND
502	P0453Z502	BACK COVER
503	P0453Z503	FRONT COVER
504	PS107M	PHLP HD SCR M6-1 X 20
505	P0453Z505	MOTOR PLATE
506	PSS04M	SET SCREW M6-1 X 12
507	P0453Z507	PLATE CONNECTING ROD
507-1	P0453Z507-1	BUSHING
508	PSS14M	SET SCREW M8-1.25 X 12
509	P0453Z509	PLATE CONNECTING ROD ASSY
510	PB160M	HEX BOLT M10-1.5 X 70
511	PW04M	FLAT WASHER 10MM
512	PN02M	HEX NUT M10-1.5
513	P0453Z513	COLLAR
514	PSS03M	SET SCREW M6-1 X 8
515	P0453Z515	ADJUST BOLT
516	PN09M	HEX NUT M12-1.75
517	PW06M	FLAT WASHER 12MM
518V2	P0453Z518V2	MOTOR 3HP 220V V2.05.08
518-1V2	P0453Z518-1V2	FAN COVER V2.05.08
518-2V2	P0453Z518-2V2	MOTOR FAN V2.05.08
518-3V2	P0453Z518-3V2	S CAPACITOR 250M 250V 1-3/4 X 3-1/2
518-4V2	P0453Z518-4V2	R CAPACITOR 40M 450V 1-3/8 X 2-3/8
518-5V2	P0453Z518-5V2	JUNCTION BOX V2.05.08
519	PK12M	KEY 5 X 5 X 30
520	PW01M	FLAT WASHER 8MM
521	PN03M	HEX NUT M8-1.25
522	PB118M	HEX BOLT M8-1.25 X 45
523	P0453Z523	BALL STRAIN RELIEF
524	P0453Z524	SPECIAL HEX NUT M8-1.25
525	PW01M	FLAT WASHER 8MM
526	P0453Z526	UNIVERSAL WHEEL SLEEVE
527	P0453Z527	UNIVERSAL WHEEL
528	PB86M	HEX BOLT M8-1.25 X 65
529	P0453Z529	RUBBER FOOT
530	PW06M	FLAT WASHER 12MM
531	P0453Z531	SHAFT 12MM
532	PB166M	HEX BOLT M8-1.25 X 50
533	PW01M	FLAT WASHER 8MM

REF	PART #	DESCRIPTION
534	P0453Z534	SPECIAL HEX NUT M8-1.25
535	PN02M	HEX NUT M10-1.5
536	PW04M	FLAT WASHER 10MM
537	PB45M	HEX BOLT M8-1.25 X 100
538	PW01M	FLAT WASHER 8MM
539	P0453Z539	SPECIAL BOLT
540	PR21M	INT RETAINING RING 35MM
541	P6202	BALL BEARING 6202ZZ
542	P0453Z542	TROLLEY WHEEL
543	P0453Z543	TROLLEY WHEEL SLEEVE
544	P0453Z544	TROLLEY UNIVERSAL KIT
545	PW04M	FLAT WASHER 10MM
546	P0453Z546	SPECIAL HEX NUT M10-1.5
547	PB144M	HEX BOLT M10-1.5 X 55
548	P0453Z548	BRACKET
549	P0453Z549	PEDAL
549A	P0453Z549A	COMPLETE PEDAL ASSEMBLY
550	PR16M	EXT RETAINING RING 9MM
551	P0453Z551	MAGNETIC SWITCH ASSY
551-1	P0453Z551-1	SWITCH BACK COVER
551-2	P0453Z551-2	CONTACTOR NHD C09-D 220V
551-3	P0453Z551-3	OL RELAY NHD NTH17 14-17
551-4	P0453Z551-4	SWITCH FRONT COVER
551-5	P0453Z551-5	SWITCH BOX SCREW
552	PFH54M	FLAT HD SCR M5-.8 X 20
553	PW02M	FLAT WASHER 5MM
554	PN06M	HEX NUT M5-.8
555	PB09M	HEX BOLT M8-1.25 X 20
556	P0453Z556	SUPPORT ARM
557	PB83M	HEX BOLT M6-1 X 16
558	PB83M	HEX BOLT M6-1 X 16
559	P0453Z559	BALL STRAIN RELIEF
560	P0453Z560	CONTROL BOX
561	P0453Z561	CONTROL PANEL
562	P0453Z562	ON BUTTON
563	P0453Z563	EMERGENCY STOP BUTTON
564	PHTEK6	TAP SCREW #10 X 3/8
565	P0453Z565	PLASTIC GROMMET



# Labels Breakdown



REF	PART #	DESCRIPTION
601	P0453Z601	CONTROL PANEL LABEL
602	PLABEL-37	GLASSES/RESPIRATOR LABEL
603	P0453Z603	MACHINE ID LABEL
604	PLABEL-12A	READ MANUAL LABEL
605	PLABEL-15	HEARING PROTECTION LABEL
606	P0453Z606	CUTTERHEAD DANGER LABEL
607	P0453Z607	HANDWHEEL DIRECTION LABEL

REF	PART #	DESCRIPTION
608	P0453Z608	GEARBOX SPEED LABEL
609	P0453Z609	GRIZZLY LOGO PLATE
610	P0453Z610	"GRIZZLY GREEN" PAINT
611	P0453Z611	"PUTTY" PAINT
612	P0453Z612	G0453Z MODEL # LABEL
613	P0453Z613	GRIZZLY.COM LABEL
614	PLABEL-14	ELECTRICITY LABEL

## WARNING

Safety labels warn about machine hazards and ways to prevent injury. The owner of this machine **MUST** maintain the original location and readability of the labels on the machine. If any label is removed or becomes unreadable, **REPLACE** that label before using the machine again. Contact Grizzly at (800) 523-4777 or [www.grizzly.com](http://www.grizzly.com) to order new labels.

